

731 – 733



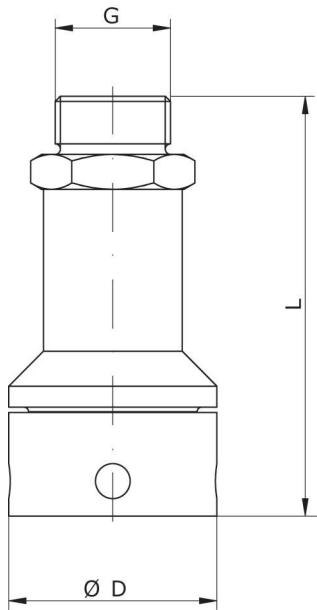
731 up to 733 in survey

- Compact design
- Easy to mount
- Maintenance-free
- High-quality materials

Technical data

Type	Nominal width DN	Max. admissible operating pressure		Max. flow rate		Max. pump stroke volume cm ³
		bar	psi	l/h	gal/h	
731	8	10	145	200	53	20
732	15	10	145	600	159	100
733	20	3	21,75	1100	283	190

Dimensional drawing



Dimensional chart

Indications in mm / inch

Type	G	D		L	
		mm	in	mm	in
731	G 3/4	30	1,18	70	2,76
732	G 1	60	2,36	121	4,76
733	G 1 1/4	80	3,15	129	5,08

Weights on request

Order information

Foot valve



Basic design:

- Valve balls: 1.4401
- Valve seals: FEP-covered
- Sieve: ETFE
- Mesh size: 1 mm
- Connection: Thread

Type	Connection thread	Material 1.4571	
		Article-No.	
731	G 3/4	37601149	
732	G 1	37603325	
733	G 1 1/4	37603962	